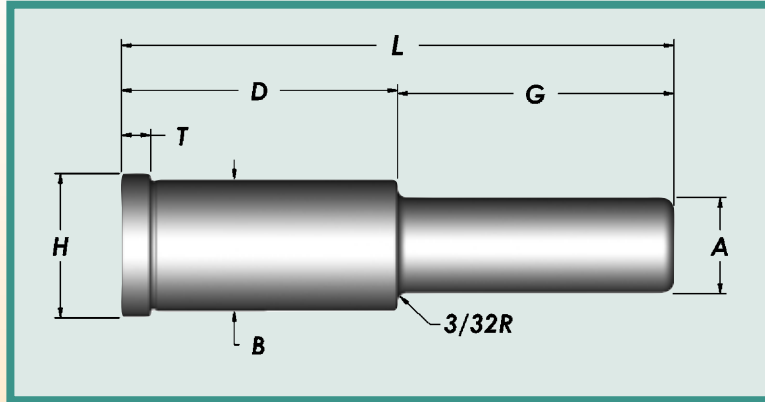


Shoulder Leader Pins

1/2"

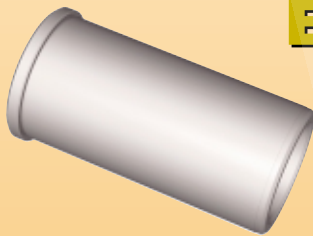


D	G	L	Cat. No.
7/8	7/8	1-3/4	500-707
	1-3/8	2-1/4	500-713
	1-7/8	2-3/4	500-717
	2-3/8	3-1/4	500-723
1-3/8	7/8	2-1/4	501-307
	1-3/8	2-3/4	501-313
	1-7/8	3-1/4	501-317
1-7/8	7/8	2-3/4	501-707
	1-3/8	3-1/4	501-713
	1-7/8	3-3/4	501-717
2-3/8	7/8	3-1/4	502-307
2-7/8	1-3/8	4-1/4	502-713

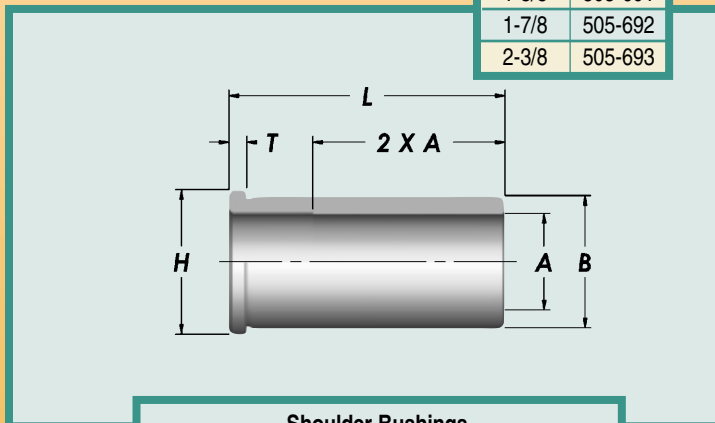
Leader Pins General Dimensions and Tolerances				
Nominal Diameter	A	B	H	T
	+0.0000 -0.0005	+0.0005 -0.0000	+0.000 -0.010	+0.000 -0.005
1/2	.499	.751	.853	3/16

Shoulder Bushings

1/2"



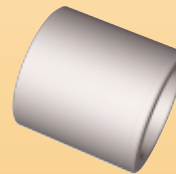
L	Cat. No.
7/8	505-690
1-3/8	505-691
1-7/8	505-692
2-3/8	505-693



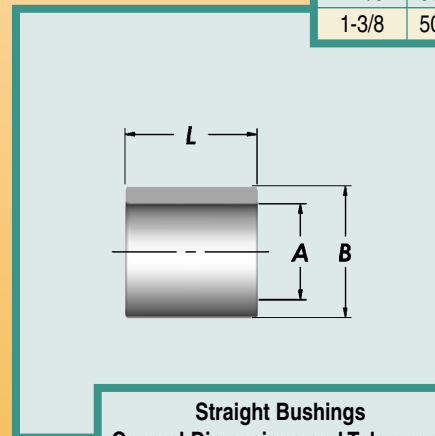
Shoulder Bushings General Dimensions and Tolerances				
Nominal Diameter	A	B	H	T
	+0.0005 -0.0000	+0.0005 -0.0000	+0.000 -0.010	+0.000 -0.005
1/2	.500	.7505	.853	3/16

Straight Bushings

1/2"



L	Cat. No.
7/8	505-498
1-3/8	505-499



Straight Bushings General Dimensions and Tolerances		
Nominal Diameter	A	B
	+0.0005 -0.0000	+0.0005 -0.0000
1/2	.500	.7505