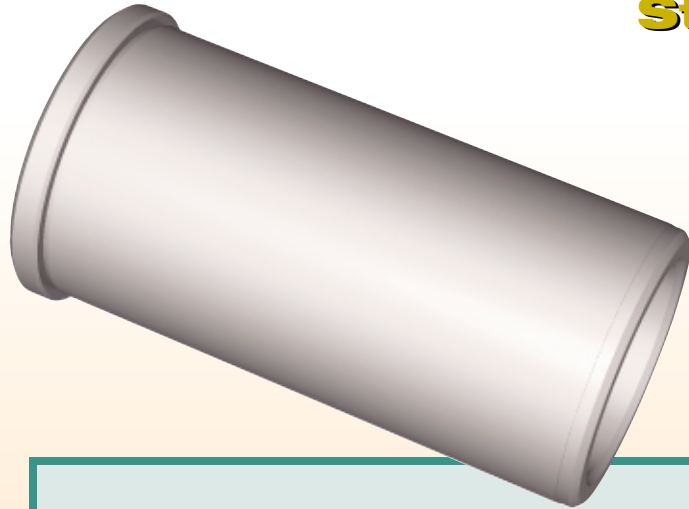


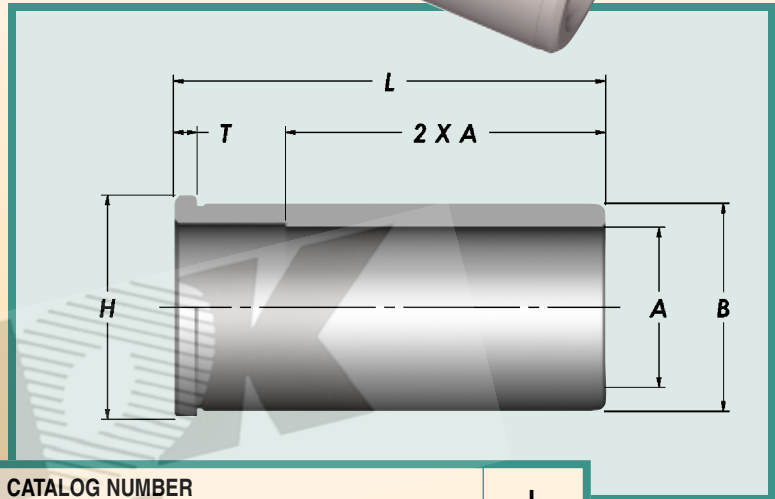


Shoulder Bushings

Steel



| General Dimensions and Tolerances | | | | |
|-----------------------------------|-----------------------|-----------------------|---------------------|---------------------|
| Nominal I.D. | A +.0005 -.0000 | B +.0005 -.0000 | H +.000 -.010 | T +.000 -.005 |
| 3/4 | .7505 | 1.1255 | 1.250 | 3/16 |
| 7/8 | .8755 | 1.2505 | 1.375 | 3/16 |
| 1" | 1.0005 | 1.3755 | 1.500 | 3/16 |
| 1-1/4 | 1.2505 | 1.6255 | 1.750 | 3/16 |
| 1-1/2 | 1.5005 | 2.0005 | 2.125 | 3/16 |
| 2" | 2.0005 | 2.5005 | 2.625 | 3/16 |
| 2-1/2 | 2.5005 | 3.2505 | 3.375 | 3/16 |
| 3" | 3.0005 | 3.7505 | 3.937 | 1/2 |



| L | CATALOG NUMBER | | | | L |
|-------|----------------|--------|------|----------|-------|
| | A=3/4" | A=7/8" | A=1" | A=1-1/4" | |
| 7/8 | 2700 | 2710 | 2730 | 2750 | 7/8 |
| 1-3/8 | 2701 | 2711 | 2731 | 2751 | 1-3/8 |
| 1-7/8 | 2702 | 2712 | 2732 | 2752 | 1-7/8 |
| 2-3/8 | 2703 | 2713 | 2733 | 2753 | 2-3/8 |
| 2-7/8 | 2704 | 2714 | 2734 | 2754 | 2-7/8 |
| 3-3/8 | 2705 | 2715 | 2735 | 2755 | 3-3/8 |
| 3-7/8 | 2706 | 2716 | 2736 | 2756 | 3-7/8 |
| 4-3/8 | 2707 | 2717 | 2737 | 2757 | 4-3/8 |
| 4-7/8 | 2708 | 2718 | 2738 | 2758 | 4-7/8 |
| 5-7/8 | 2709 | 2720 | 2740 | 2760 | 5-7/8 |
| 7-7/8 | | | | | 7-7/8 |

| L | CATALOG NUMBER | | | | L |
|-------|----------------|------|----------|------|-------|
| | A=1-1/2" | A=2" | A=2-1/2" | A=3" | |
| 7/8 | 2770 | | | | 7/8 |
| 1-3/8 | 2771 | 2901 | 2951 | | 1-3/8 |
| 1-7/8 | 2772 | 2902 | 2952 | | 1-7/8 |
| 2-3/8 | 2773 | 2903 | 2953 | | 2-3/8 |
| 2-7/8 | 2774 | 2904 | 2954 | | 2-7/8 |
| 3-3/8 | 2775 | 2905 | 2955 | | 3-3/8 |
| 3-7/8 | 2776 | 2906 | 2956 | 3976 | 3-7/8 |
| 4-3/8 | 2777 | 2907 | 2957 | | 4-3/8 |
| 4-7/8 | 2778 | 2908 | 2958 | 3978 | 4-7/8 |
| 5-7/8 | 2780 | 2910 | 2960 | 3980 | 5-7/8 |
| 7-7/8 | | | | 3984 | 7-7/8 |