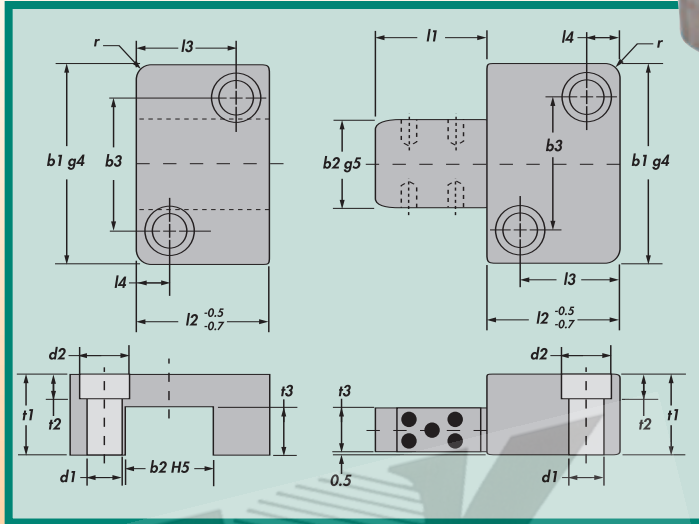
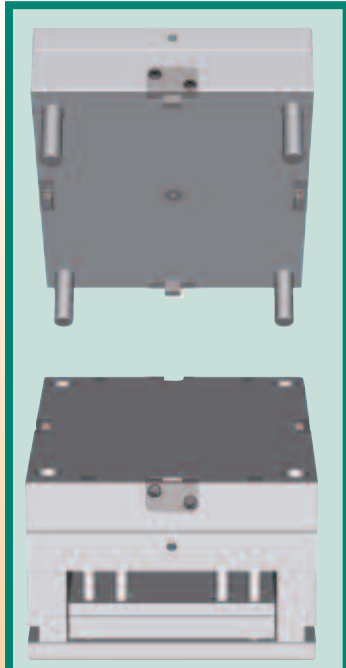




E Side Locks (Graphite Impregnated)

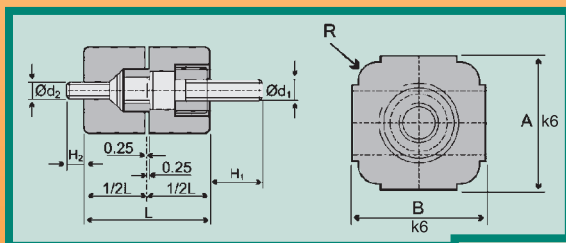


Material: YK30 56-60 Hrc

- Supplied with socket head cap screws.
- Sold in sets only.

Catalog Number	b1	b2	l1	l2	t1	t3	d1	d2	t2	b3	l3	l4	r
OSL16x20	40	16	20	22	20	11	6.6	11	6.8	26	15	7	6
OSL16x40	40	16	40	22	20	11	6.6	11	6.8	26	15	7	6
OSL20x25	45	20	25	27	22	13	6.6	11	6.8	31	19	7	6
OSL20x50	45	20	50	27	22	13	6.6	11	6.8	31	19	7	6
OSL25x32	50	25	32	36	25	14	6.6	11	6.8	35	27	9	8
OSL25x63	50	25	63	36	25	14	6.6	11	6.8	35	27	9	8
OSL32x40	63	32	40	46	32	19	9	15	9	45	35	11	8
OSL32x80	63	32	80	46	32	19	9	15	9	45	35	11	8
OSL40x50	85	40	50	56	36	22	11	18	11	60	40	15	10
OSL40x100	85	40	100	56	36	22	11	18	11	60	40	15	10
OSL50x56	100	50	56	66	40	24	14	20	13	74	48	18	10
OSL50x112	100	50	112	66	40	24	14	20	13	74	48	18	10

Note: All dimensions & tolerances are in millimeters



Square Interlocks

Material: YK30 56-60 Hrc

- Easily installed and removed from the parting line.
- Supplied with socket head cap screws.
- Sold in sets only.

Catalog Number	A	B	L	d1	d2	H1	H2	R
SIL-20	20	20	28	M5	M4	12	4	4
SIL-25	25	25	32	M6	M5	13	8	5
SIL-32	32	32	36	M8	M6	15	12	6
SIL-40	40	40	45	M10	M8	17	10	6

Note: All dimensions & tolerances are in millimeters